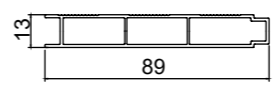
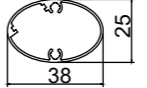
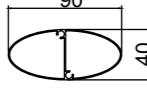
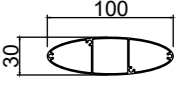
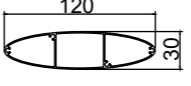
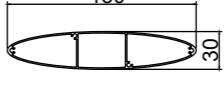
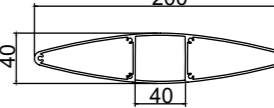
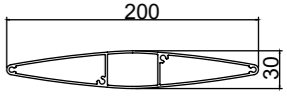
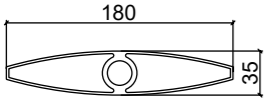
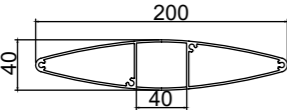
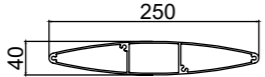
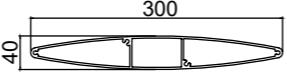
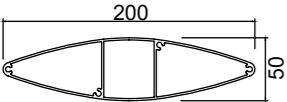
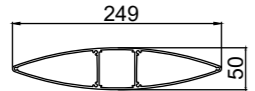
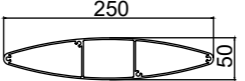
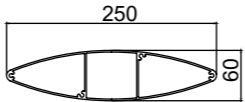
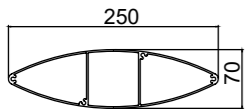
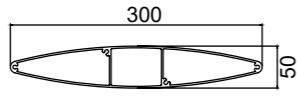
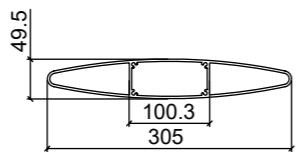
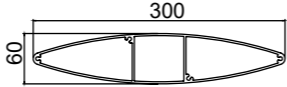
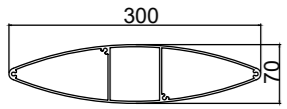
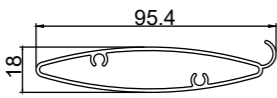

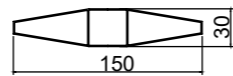
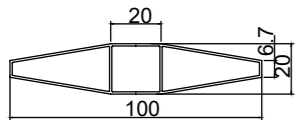
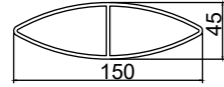
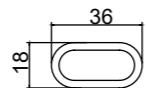
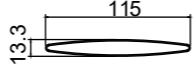




ZY-018 T=0.8 MM	GN 1132 T=0.9 MM	GN 1548 T=0.4 MM	GN 1441 T=0.4 MM
			
GN2878 T=1.2 MM	GN 0882 T= 0.9 MM	GN 1329 T=1.0 MM	GN 1464 T=1.0 MM
			
GN 1463 T=1.1 MM	GN 1462 T=1.2 MM	GN 1221 T= 1.7 MM	GN 6608 T= 1.7 MM

			
GN 1137 T=2.0 MM	GN 6018 T= 1.7 MM	GN 6098 T= 2.0 MM	GN 6628 T= 2.5 MM
			
GN 6618 T= 1.7 MM	GN 1265 T= 2.2 MM	GN2701 T= 2.0 MM	GN 6708 T=2.3 MM
			
GN 6698 T=2.3 MM	GN 6638 T= 2.5 MM	FC-BY086 T=3.0 MM	GN 6658 T=2.5 MM
			
GN 6668 T= 2.5 MM	GN 0977 T= 1.4 MM	GN 0539 T= 2.0 MM	GN2173 T= 1.0 MM
			
GN2296 T= 0.9 MM	GN 0965 T= 2.8 MM	GN2596 T= 3.0 MM	GN 0667 T= 1.1 MM